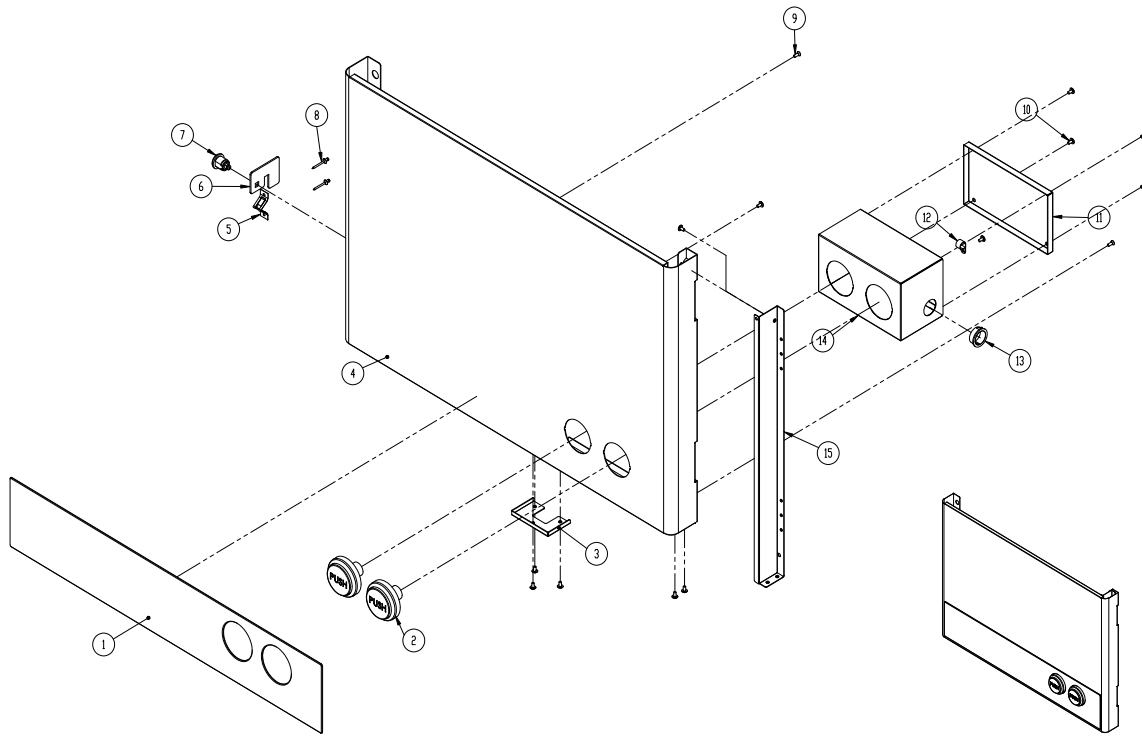


# ID-C220-30

## [ FRONT PANEL ]



NO	ITEMS	CODE	EXW USD	SVC	Q'TY
1	FRONT WINDOW_1	440035100		YES	1
2	PUSH BUTTON ASSY	223003020		YES	2
3	REINFORCE FRONT PANEL	301251100-		YES	1
4	FRONT PANEL	301238200		YES	1
5	SPRING JOINT CLIP	323001001		YES	1
6	LOCKING PLATE	301253200		YES	1
7	LOCKING DEVICE	219004900		YES	1
8	RIVET-ST5304 Φ4*L8	212002900		YES	2
9	SCREW MACHINE	AAEB02020		YES	2
10	SCREW MACHINE	AACB04010		YES	12
11	PUSH BUTTON COVER_2	301250200		YES	1
12	CLAMP	227001600		YES	1
13	GROMMET BUSHING	232003500		YES	1
14	PUSH BUTTON COVER_1	301250100		YES	1
15	HINGE BKT	301250300		YES	1
16					
17					
18					
19					
20					
21					
22					
23					
24					
25					
26					
27					